

INSTRUCTION No. 32M — SPLICING FLEXIBLE STEEL CABLES WITH **NICOPRESS® SLEEVES AND TOOLS**

NICOPRESS HAND TOOLS FOR *NICOPRESS* OVAL AND STOP SLEEVES

# 17-BA	# 51-B4-887	# 51-F2-850	# 3-C-887	# 3-G9-950
# 17-B4B	# 51-C-887	# 51-Q-929	# 3-G-887	# 3-H5-950
# 31-B	# 51-G-887	# 51-MJ	# 3-M-850	# 3-Q-929
# 31-B4	# 51-M-850	# 63V-XPM	# 3-P-850	# 3-MJ
# 32-VC:VG	# 51-P-850	# 64-CGMP	# 3-X-850	# 3V-CGMP
# 33V-CGB4	# 51-X-850	# 63V-XPM/Cutter	# 3-F2-850	# 3V-F6:X:M
	# 51-Y-850	# 64-CGMP/Cutter	# 3-F2-950	# 3V-XPM
			# 3-F6-950	

NICOPRESS BENCH TOOL HEADS

The heads used in bench tools are the same as the "heads only" of corresponding *Nicopress* hand tools as follows:

No. 510 Bench Tool Heads

# 51-B4-887 Head	# 51-X-850 Head	# 63V-XPM Head
# 51-C-887 Head	# 51-Q-929 Head	# 64-CGMP Head
# 51-G-887 Head	# 51-Y-850 Head	
# 51-M-850 Head	# 51-F2-850 Head	
# 51-P-850 Head	# 51-MJ Head	

No. 510 Bench Tool Heads are completely interchangeable with each other

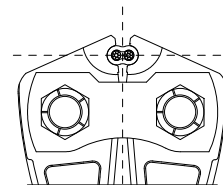
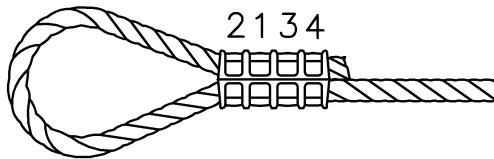
No. 300 Bench Tool Heads

# 3-C-887 Head	# 3-F2-850 Head	# 3-Q-929 Head
# 3-G-887 Head	# 3-F2-950 Head	# 3-MJ Head
# 3-M-850 Head	# 3-F6-950 Head	# 3V-CGMP Head
# 3-P-850 Head	# 3-G9-950 Head	# 3V-F6:X:M Head
# 3-X-850 Head	# 3-H5-950 Head	# 3V-XPM Head

No. 300 Bench Tool Heads are completely interchangeable with each other

MAKING SPLICES WITH *NICOPRESS* OVAL SLEEVES

To make EYE SPLICES, pull enough cable through the sleeve so that the end will still protrude after crimping. Line up the sleeve between the tool jaws as shown with the long axis crosswise to the jaws.



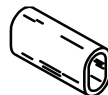
Using the proper *NICOPRESS* tool, swage the sleeve with the correct number of presses, spacing the presses evenly on the sleeve. If more than 1 compression is required per sleeve, use the pressing sequence shown above. Tables which follow list the number of crimps required for each sleeve. Space crimps apart as shown, except where overlapped crimps are specified. Overlapped crimps are specified for sleeves that need more than one crimp, but do not have room for two complete crimps. Overlapped crimps should compress all of the sleeve. To properly install, it is important the sleeve be fully and correctly pressed. To check this, use the gauge furnished with the tool on a completed sleeve press. Sleeves should enter slot freely. Adjust tool if sleeve does not enter gauge. (See Page 4 for information on using the gauge and adjusting tools.)

For maximum holding strength: Use *NICOPRESS* Plain Copper Oval Sleeves or Zinc Plated Copper Oval Sleeves on Galvanized Steel Aircraft Cable. Use *NICOPRESS* Tin Plated Copper Oval Sleeves or Stainless Steel Oval Sleeves on Stainless Steel Aircraft Cable.

LAP SPLICES can also be made with *NICOPRESS* Oval Sleeves. Usually 2 sleeves are needed to develop full strength. A short space should be kept between the sleeves as shown. The cable ends should protrude after crimping.



NO. 31-B4 AND NO.32-VC:VG AND NO. 33V-CGB4 TOOLS FOR OVAL SLEEVES			
CABLE SIZE	SLEEVE NUMBER	TOOL GROOVE	CRIMPS REQ'D
1-1.2mm	168-1.5-VB4	B4, VB4	2 (Overlapped)
	18-11-B4; 28-11-B4; 428-1.5-VB4; 188-1.5-VB4	B4, VB4	1
1.5-2mm	18-1-C; 28-1-C; 428-2-VC	VC	1
	188-2-VC	VC	2 (Overlapped)
2.5mm	18-2-G; 28-2-G; 428-3-VG	VG	2 (Overlapped)
	188-3-VG	VG	2
NO. 17-BA AND NO. 17-B4B TOOLS FOR OVAL SLEEVES			
CABLE SIZE	SLEEVE NUMBER	TOOL GROOVE	CRIMPS REQ'D
.75mm	17-1-B; 27-1-B	B	2
1-1.2..	18-11-B4; 28-11-B4; 428-1.5-VB4	B4	3



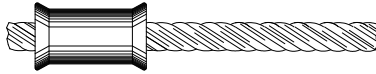
HAND TOOLS AND NO. 510 BENCH TOOL HEADS FOR OVAL SLEEVES

CABLE SIZE	SLEEVE NUMBER	HAND TOOL NUMBER	510 BENCH TOOL HEAD NUMBER	TOOL GROOVE	CRIMPS REQUIRED
.75mm	168-1-VB; 17-1-B; 27-1-B	17-B4B; 31-B		B	1
1-1.2mm	168-1.5-VB4; 18-11-B4; 28-11-B4; 188-1.5-VB4; 428-1.5-VB4	51-B4-887	51-B4-887 HEAD	OVAL B4	1
1.5-2mm	168-2-VB4	51-B4-887	51-B4-887 HEAD	OVAL B4	1
	18-1-C; 28-1-C; 188-2-VC; 428-2-VC	51-C-887 64-CGMP	51-C-887 HEAD 64-CGMP HEAD	OVAL C	1
1.5-2mm	168-3-VC	51-C-887	51-C-887 HEAD	OVAL C	1
	18-2-G; 28-2-G; 428-3-VG	51-G-887 64-CGMP	51-G-887 HEAD 64-CGMP HEAD	OVAL G	1
	188-3-VG	51-G-887 64-CGMP	51-G-887 HEAD 64-CGMP HEAD	OVAL G	2(overlapped)
3-3.5mm	168-4-VG	51-G-887	51-G-887 HEAD	OVAL G	1
	18-3-M; 28-3-M; 188-4-VM; 428-4-VM	51-M-850; 64-CGMP; 63V-XPM	51-M-850 HEAD; 64-CGMP HEAD; 63V-XPM HEAD	OVAL M	3
		51-MJ	51-MJ HEAD	M	2
4mm	168-5-VM	51-M-850	51-M-850 HEAD	OVAL M	3
	18-4-P; 28-4-P; 188-5-VP; 428-5-VP	51-P-850; 64-CGMP; 63V-XPM	51-P-850 HEAD; 64-CGMP HEAD; 63V-XPM HEAD	OVAL P	3
5mm	168-6-VP	51-P-850	51-P-850 HEAD	OVAL P	4
	18-6-X; 28-6-X; 188-6-VX; 428-6-VX	51-X-850; 63V-XPM	51-X-850 HEAD; 63V-XPM HEAD	OVAL X	4
6mm	18-8-F2; 28-8-F2; 428-7-VF2	51-F2-850	51-F2-850 HEAD	OVAL F2	4

HAND TOOLS AND NO. 300 BENCH TOOL HEADS FOR OVAL SLEEVES

CABLE SIZE	SLEEVE NUMBER	HAND TOOL NUMBER	300 BENCH TOOL HEAD NUMBER	TOOL GROOVE	CRIMPS REQUIRED
1.5mm	168-1.5-VB4	3-B4-887	3-B4-887 HEAD	OVAL B4	1
1.5-2mm	168-2-VB4	3-B4-887	3-B4-887 HEAD	OVAL B4	1
	18-1-C; 28-1-C; 188-2-VC; 428-2-VC	3-C-887; 3V-CGMP	3-C-887 HEAD; 3V-CGMP HEAD	OVAL C	1
2.5mm	168-3-VC	3-C-887	3-C-887 HEAD	OVAL C	1
	18-2-G; 28-2-G; 428-3-VG	3-G-887; 3V-CGMP	3-G-887 HEAD; 3V-CGMP HEAD	OVAL G	1
	188-3-VG	3-G-887; 3V-CGMP	3-G-887 HEAD; 3V-CGMP HEAD	OVAL G	2 (overlapped)
3-3.5mm	168-4-VG	3-G-887	3-G-887 HEAD	OVAL G	1
	18-3-M; 28-3-M; 188-4-VM; 428-4-VM	3-M-850	3-M-850 HEAD	OVAL M	1
		3V-CGMP; 3V-XPM; 3V-F6:X:M	3V-CGMP HEAD; 3V-XPM HEAD; 3V-F6:X:M HEAD	OVAL M	2
		3-MJ	3-MJ HEAD	M	2
4mm	168-5-VM	3-M-850	3-M-850 HEAD	OVAL M	2 (overlapped)
	18-4-P; 28-4-P; 188-5-VP; 428-5-VP*	3-P-850	3-P-850 HEAD	OVAL P	1*
		3V-CGMP; 3V-XPM	3V-CGMP HEAD; 3V-XPM HEAD	OVAL P	2
5mm	18-6-X; 28-6-X; 188-6-VX; 428-6-VX	3-X-850; 3V-XPM; 3V-F6:X:M	3-X-850 HEAD; 3V-XPM HEAD 3V-F6:X:M HEAD	OVAL X	2
6mm	168-8-VF2	3-F2-950	3-F2-950 HEAD	OVAL F2	5
	18-8-F2; 28-8-F2; 428-7-VF2; 188-8-VF6	3-F2-850	3-F2-850 HEAD	OVAL F2	2
7mm	18-13-G3; 28-13-G3; 428-8-VF6	3-F6-950; 3V-F6:X:M	3-F6-950 HEAD; 3V-F6:X:M HEAD	OVAL F6	3
8mm	18-13-G9; 28-13-G9; 428-10-VG9	3-G9-950	3-G9-950 HEAD	OVAL G9	4
	188-10-VG92	3-G9-950	3-G9-950 HEAD	OVAL G9	4
9-10mm	18-23-H5; 28-23-H5; 428-12-VH5	3-H5-950	3-H5-950 HEAD	OVAL H5	3
	188-12-VH5	3-H5-950	3-H5-950 HEAD	OVAL H5	4

* The combination of Sleeve 428-5-VP with the Model 3-P-850 tool requires two overlapped presses.



MAKING TERMINATIONS WITH NICOPRESS® STOP SLEEVES

Cut cable with a sharp, notched, shear type cutter. Thread cable through sleeve so that it extends 1/8". Using the proper NICOPRESS® tool, swage the sleeve with the correct number of presses, spacing the presses evenly on the sleeve. To properly install, it is important the sleeve be fully and correctly pressed. To check this, use the gauge furnished with the tool on a completed sleeve press. Sleeves should enter slot freely. Adjust tool if sleeve does not enter gauge.

HAND TOOLS AND NO. 510 BENCH TOOL HEADS FOR STOP SLEEVES						
CABLE SIZE	SLEEVE NUMBER	HAND TOOL NUMBER	510 BENCH TOOL HEAD NUMBER	TOOL GROOVE	CRIMPS REQUIRED	
.75mm	871-32-B	17-BA		B	2	
		31-B		B	1	
1-1.2mm	871-12-B4	17-B4B		B4	2 (overlapped)	
		51-B4-887	51-B4-887 HEAD	OVAL B4	1	
		31-B4		B4	1	
		33V-CGB4		VB4	1	
1.5mm	871-1-C 878-2-VC	51-C-887	51-C-887 HEAD	OVAL C	1	
		32-VC-VG 33V-CGB4		VC	1	
		64-CGMP	64-CGMP HEAD	OVAL C	1	
	871-1-Q	51-Q-929	51-Q-929 HEAD	Q	1	
2-2.5mm	871-17-J & 878-3-J		51-MJ	51-MJ HEAD	J	1
	871-3-Q		51-Q-929	51-Q-929 HEAD	Q	1
	871-33-VG		64-CGMP	64-CGMP HEAD	OVAL G	1
3-3.5mm	871-18-J & 878-4-J		51-MJ	51-MJ HEAD	J	1
	871-34-VG		64-CGMP	64-CGMP HEAD	OVAL G	1
4mm	871-19-M & 878-5-M		51-MJ	51-MJ HEAD	M	1
	871-35-VM		64-CGMP 63V-XPM	64-CGMP HEAD 63V-XPM HEAD	OVAL M	2
5mm	871-20-M & 878-6-M		51-MJ	51-MJ HEAD	M	1
	871-36-VM		64-CGMP 63V-XPM	64-CGMP HEAD 63V-XPM HEAD	OVAL M	2
6mm	871-22-M		51-MJ	51-MJ HEAD	M	2
	871-37-VM		64-CGMP 63V-XPM	64-CGMP HEAD 63V-XPM HEAD	OVAL M	3

HAND TOOLS AND NO. 300 BENCH TOOL HEADS FOR STOP SLEEVES						
CABLE SIZE	SLEEVE NUMBER	HAND TOOL NUMBER	300 BENCH TOOL HEAD NUMBER	TOOL GROOVE	CRIMPS REQUIRED	
1.5mm	871-1-C & 878-2-VC		3-C-887 3V-CGMP	3-C-887 HEAD 3V-CGMP HEAD	OVAL C	1
	871-1-Q		3-Q-929	3-Q-929 HEAD	Q	1
2-2.5mm	871-17-J & 878-3-J		3-MJ	3-MJ HEAD	J	1
	871-3-Q		3-Q-929	3-Q-929 HEAD	Q	1
3-3.5mm	871-18-J & 878-4-J		3-MJ	3-MJ HEAD	J	1
4mm	871-19-M & 878-5-M		3-MJ	3-MJ HEAD	M	1
5mm	871-20-M & 878-6-M		3-MJ	3-MJ HEAD	M	1
6mm	871-22-M		3-MJ	3-MJ HEAD	M	2
7mm	871-23-F6 & 878-8-VF6		3-F6-950 3V-F6:X:M	3-F6-950 HEAD 3V-F6:X:M HEAD	OVAL F6	2
9/32	871-24-F6		3-F6-950 3V-F6:X:M	3-F6-950 HEAD 3V-F6:X:M HEAD	OVAL F6	2
9mm	871-27-F6		3-F6-950 3V-F6:X:M	3-F6-950 HEAD 3V-F6:X:M HEAD	OVAL F6	2

NOTES

Sleeve pressing with No. 63V-XPM/Cutter tool or No. 64-CGMP/Cutter tool is done the same way as with No. 63V-XPM tool or No. 64-CGMP tool respectively.

Proof testing is recommended whenever the possibility of personal injury or property damage exists. ALWAYS WEAR SAFETY GLASSES WHEN TOOL IS BEING USED.

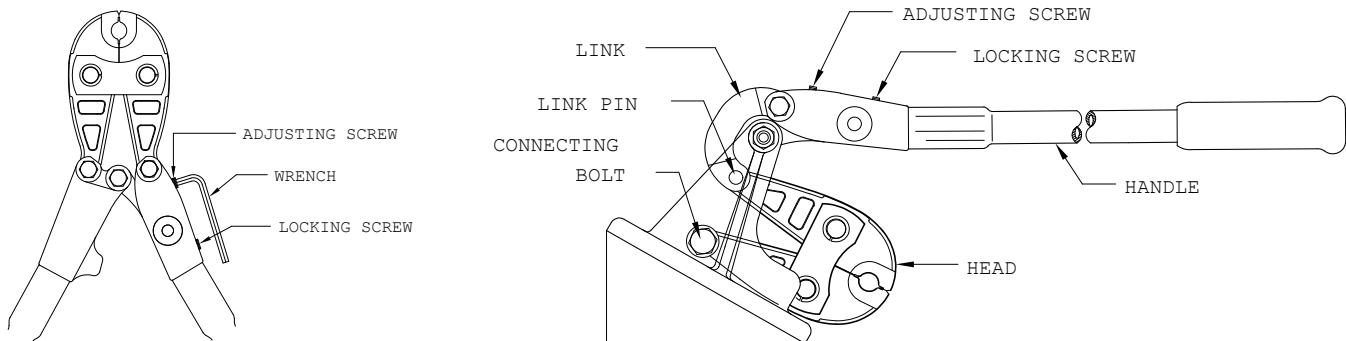
USING THE GAUGE

Check a crimped sleeve, as shown, with the go-type gauge provided. If the sleeve will not enter the sleeve freely, adjust tool as outlined below.



ADJUSTMENT FOR HAND TOOLS LISTED ON PAGE NO. 1

Open handles, loosen locking screw two turns. Turn adjustment screw 1/4 of a turn clockwise. After adjustment, tighten locking screw. Swage sleeve on wire and check with gauge. Repeat if necessary. Clean and oil periodically. Except for some spring at final closing, "empty" tool should work freely. The No. 17-BA and 17-B4B tools are not adjustable.



NO. 300 BENCH TOOL AND NO. 510 BENCH TOOL: ADJUSTING AND CHANGING HEADS

To remove the tool head: (1) Raise the handle to full open position. (2) Remove connecting bolt (see illustration). (3) Pull head out to expose link pin and remove it. To install a tool head, follow the reverse of this procedure. Always check tool adjustment when changing heads (see below).

To adjust the tool, raise the handle to the full open position, loosen the locking screw two turns. Turn adjustment screw 1/4 of a turn clockwise. After adjustment, tighten locking screw. Swage sleeve on wire and check with gauge. Repeat if necessary. Clean and oil periodically. Except for some spring at final closing, "empty" tool should work freely.

PHONE: 216-361-0221
FAX: 216-361-3111
www.nicopress.com

THE NATIONAL TELEPHONE SUPPLY CO.
5100 SUPERIOR AVENUE
CLEVELAND, OH 44103

INSTRUCTION NO. 32M
05.12